

WHEEL LOADER XC958U



EU Stage V/EPA Tier IV



XCMG North America Corporation
5145 Schirlls Street, Las Vegas, NV 89118
Email: info@xcmgusa.com
Phone: (Las Vegas) 725-605-2777
(Houston) 346-409-2855
Web: www.xcmg-usa.com



Technical Specifications

ENGINE

Cummins EU Stage V/ Tier 4 Final emissions certified		
Model	B6.7	
Type	Water-cooled, 4-cycle	
Aspiration	Turbocharged & air-to-air intercooled	
Number of cylinders	6	
Displacement	408 in ³	
SAE J1995	Gross power	168kW
Peak torque	1186N-m	
Fuel system	Direct injection	
Air cleaner	Pre-cleaner and dry type with double elements	

TRANSMISSION

ZF counter-shaft transmission, Automatic Power Shift, integrated joystick with FNR and KD(kick-down)		
Torque converter	Single-stage, three-element	
Transmission type	Counter-shaft, Power shift	
Travel speed	Forward Reverse	Reverse
1st	4.06 mile/h	4.06 mile/h
2nd	8.13 mile/h	8.13 mile/h
3rd	15.0 mile/h	15.0 mile/h
4th	23.75 mile/h	
Measured with 23.5R25 tires		

AXLES AND FINAL DRIVES

Model	XCMG Wet Axle	
Drive system	Four-wheel drive	
Front	Fixed,Full-Floating	
Rear	"Fixed on Swing frame,Full-Floating 24° total oscillation"	
Reduction gear	Spiral bevel gear	
Differential gear	Conventional type	
Final reduction gear	Planetary gear, Single reduction	

HYDRAULIC SYSTEM

Steering system	
Hydraulic pump	Piston type
Relief valve setting	16MPa
Number of cylinders	2
Loader system	
Hydraulic pump	Piston type
Relief valve setting	23MPa
Number of boom cylinders	2
Number of bucket cylinders	1
Raise time	5.7s
Dump time	1.2s
Lower time(empty)	3.5s
Total cycle time	10.4
Controls	Joystick

STEERING SYSTEM

Load-sensing hydraulic articulated steering, the steering system has priority feed from a load-sensing piston pump with variable displacement.	
Type	Articulated type
Steering angle	40°

BRAKES

Service brakes	Wet discs actuate on four wheels
Service brake actuation	Hydraulic
Parking brake type	Manual electrical control
Parking brake actuation	Hydraulic

Cooling

Fan drive	Hydraulically driven, Automatic reversing
-----------	---



Technical Specifications

CAB

The cab is ROPS & FOPS certified, ROPS/FOPS meet ISO 3471 and ISO 3449
Pressurized cab with lower interior sound level
Adjustable steering column, heated air suspension seat, AM/FM radio, armrest box, and AC with optimized air outlets
Large heated rearview external mirrors with integrated spot mirrors, rear-view camera and mirrors ensure great visibility
High resolution larger color LCD panel, all important informations are located in the panel.

SOUND

The sound values indicated below are for specific operating conditions only. Machine and operator sound levels will vary at different engine and/or cooling fan speeds. Hearing protection may be needed when the machine is operated with a cab that is not properly maintained, or when the doors and/or windows are open for extended periods or in a noisy environment

Operator Sound Pressure level according to ISO 6396-2008	≤76dB(A)
Exterior Sound Power level according to ISO 6395-2008	≤106dB(A)
Heating capacity	>8000W
Air conditioning	>5200W

SERVICE REFILL CAPACITIES

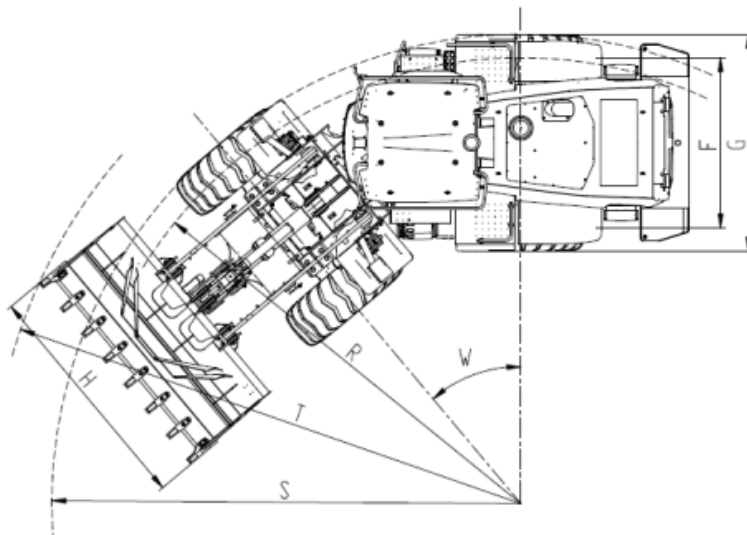
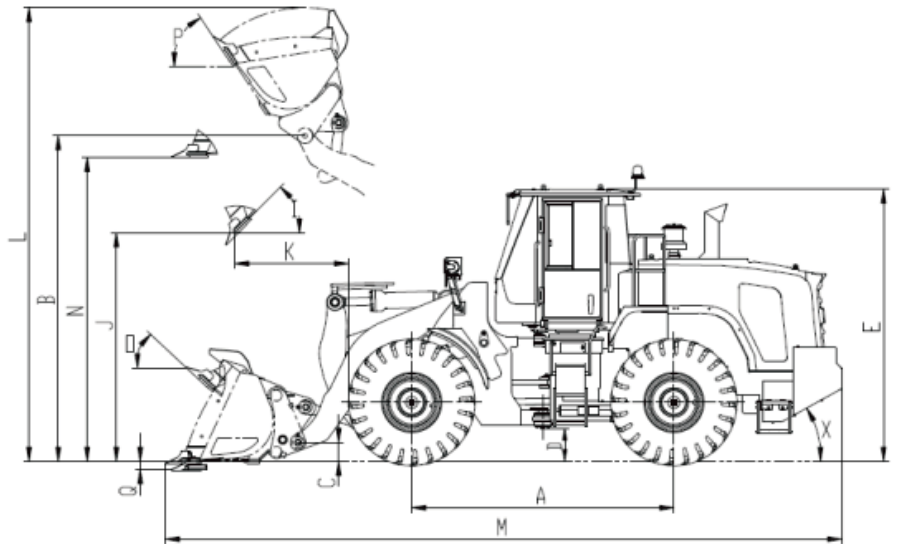
Fuel Tank	79.26 gal
DEF Tank	7.93 gal
Cooling System	11.89 gal
Crankcase	5.29 gal
Transmission	14.53 gal
Differentials and Final Drives-Front	8.99 gal
Differentials and Final Drives-Rear	8.99 gal
Hydraulic Tank	50.20 gal

ELECTRICAL SYSTEM

Voltage	24V
Batteries	6-QAW-180D
Battery capacity	180AH
Cold cranking capacity	-32 C
Alternator rating	2.2KW
Starter motor output	7.8KW

Technical Specifications

DIMENSIONS



F Tread	7.15 ft
G Width over tires	7.15 ft
A Wheelbase	10.99 ft
B Hinge pin height	13.62 ft
C Ground clearance	1.38 ft
D Hitch height	1.38 ft
E Overall height, ROPS cab	11.40 ft

Z-Bar

Bucket capacity	4.06 yd ³	4.58 yd ³
H Bucket width	9.83 ft	10.50 ft
I Maximum dump angle at full height		
J Dump clearance, max height and 45° dump angle	10.07 ft	9.54 ft
K Reach at max.height and 45° dump angle	4.07 ft	4.69 ft
L Operating height(fully raised)	18.55 ft	18.96 ft
M Overall length(bucket on ground)	27.63 ft	28.42 ft
N Maximum digging depth	0.3 ft	0.3 ft
O Bucket rollback at ground level		
P Bucket rollback at maximum height		
S Turning radius, outside of tire	19.73 ft	19.73 ft
R Turning radius, center of tire	18.68 ft	18.68 ft
T Turning radius, bucket carry	22.22 ft	22.32 ft
Static tipping load:straight	24200 lb	28050 lb
40° full turn	22000 lb	24640 lb
Breakout force	39060 lbf	39060 lbf
Operating weight	40810 lb	42240 lb