

Mini Excavators XE55U



Rated Power: 41.2 hp
Operating Weight With Cab: 12,566 lb
Operating Weight With Canopy: 12,346 lb
Standard Bucket Capacity: 0.21 yd³

XCMG North America Corporation
5145 Schirlls Street, Las Vegas, NV 89118
Email: info@xcmgusa.com
Phone: (Las Vegas) 725-605-2777
(Houston) 346-409-2855
Web: www.xcmg-usa.com





Technical Specifications

Engine

Make/model	Kubota/V2403/Tier 4F
Fuel/cooling	Diesel/Liquid, forced circulation
No. of cylinders	4
Piston displacement	0.6 gal
Power output	41.2 hp (ISO 14396)
Max torque	117.9 ft-lb/1500 rpm
Bore x stroke	3.4 in.x 4 in.
Alternator	12 V· 60 A

Hydraulic system

This original XCMG design allows independent and combined operations of all functions by hydraulic piloted controlled levers.

> Pump

Type	Load-sensing axial-piston pump with variable displacement
Total hydraulic capacity	41.8 gal./min
AUX1 & AUX2 maximum flow rate	23.8 gal./min
AUX1 / AUX2 standard relief pressure	2,465.6 psi

> Maximum system pressure

Boom	4,641.2 psi
Arm / bucket / travel	4,641.2/4,641.2/4,119.1 psi
Swing	3,335.9 psi

Digging forces (ISO 6015)

Digging force, standard arm (ISO 6015)	5,462.9 lbf.
Digging force, long arm (ISO 6015)	5,260.5 lbf.
Digging force, bucket (ISO 6015)	10,004 lbf.

Fluid capacities

Cooling system (radiator capacity)	3.2 gal.
Engine lubrication plus oil filter	2.5 gal.
Fuel tank	18 gal.
Hydraulic tank	12.2 gal.
Hydraulic system	5.8 gal.
Final drive case (each)	0.3 gal.

Undercarriage

X-type undercarriage. The heavy-duty crawler chassis is very resilient with its fully welded, stress-free structure. Long service life is ensured by the use of first-class materials: hydraulic chain adjusters with shock-absorbing return springs, lifetime-lubricated track rollers and idlers.

> Number of rollers and track shoes

Bottom rollers (per side)	5
Track shoes	Rubber
Overall track length	8'2"
Shoe width	16"

Environment

Noise levels comply with environmental regulations (dynamic values).

> Noise emission

Noise level LpA (ISO 6396)	79 dB(A)
Noise level LwA (ISO 6395)	96 dB(A)

Swing mechanism

High-torque, axial piston motor with planetary reduction gear bathed in oil. Swing circle is single-row, shear type ball bearing with induction-hardened internal gear. Internal gear and pinion gear immersed in lubricant. Equipped with an automatic multi-disc slew brake.

> Swing system

Boom swing, left	70°
Boom swing, right	53°
Slew rate	9.5 rpm

Drive

Each track is driven by an independent, high-torque, axial piston motor through planetary reduction gears. Two control levers provide smooth travel or counterrotation upon demand.

> Speed & traction

Travel speed (low - high)	1.7-2.9 mph
Traction force	11,869.9 lbf.
Gradeability	70%/35°

Weight

Operating Weight With Cab	12,566 lb.
Operating Weight With Canopy	12,346 lb.
Ground pressure	4.6 psi
Transport mass with Cab	12,403.2 lb.
Transport mass with Canopy	12,182.7 lb.
Weight of steel tracks	683.4 lb.
Weight of rubber tracks	529.1 lb.
Additional weight for long arm	59.5 lb.

Lifting Capacities

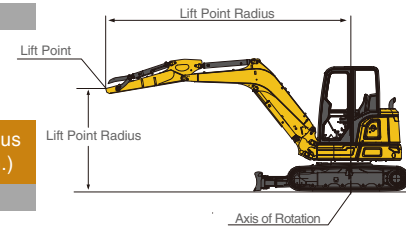
XE55U

— Cab • standard arm 5'2" • standard counterweight • without bucket

Lift Point Height	Over Front						Over Side						Max Radius (ft.in.)
	Lift At Max Radius (lb.)	3'3"	6'7"	9'10"	13'1"	16'5"	Lift At Max Radius (lb.)	3'3"	6'7"	9'10"	13'1"	16'5"	
13'1"	2,557				2,778		1,609				1,764		13'9"
9'10"	2,050				2,756		1,279				1,742		15'11"
6'7"	1,786			4,189	2,690	1,940	1,124			2,535	1,676	1,213	17'3"
3'3"	1,786			3,968	2,601	1,896	1,102			2,359	1,609	1,190	17'2"
ground	1,830		4,387	3,880	2,535	1,874	1,124		4,189	2,271	1,543	1,168	16'8"
-3'3"	2,072		8,069	3,858	2,535		1,279		4,211	2,249	1,543		15'3"
-6'7"	2,756		7,275	3,902			1,676		4,299	2,293			12'6"

— Cab • standard arm 6'3" • standard counterweight • without bucket

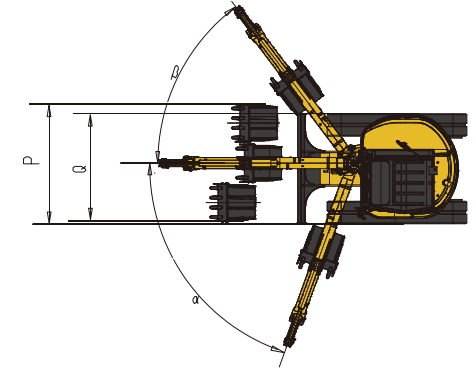
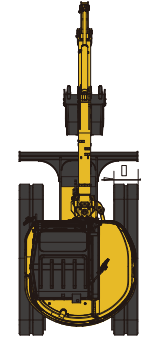
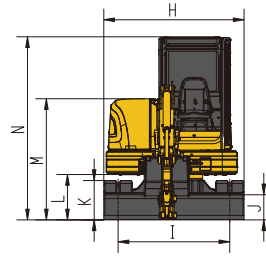
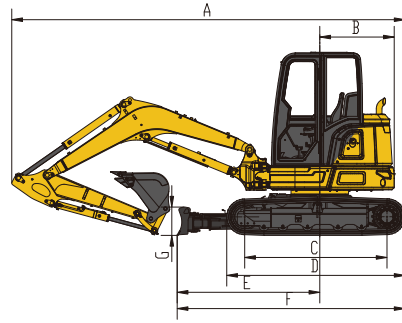
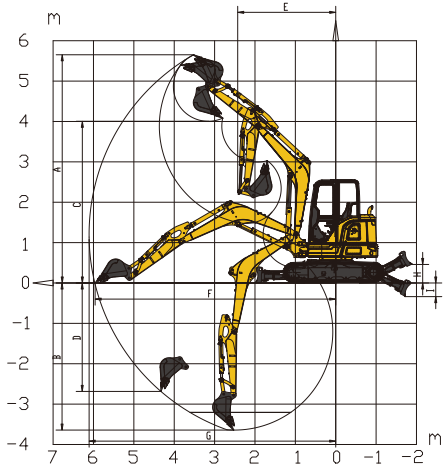
Lift Point Height	Over Front						Over Side						Max Radius (mm/ft.in.)
	Lift At Max Radius (lb.)	3'3"	6'7"	9'10"	13'1"	16'5"	Lift At Max Radius (lb.)	3'3"	6'7"	9'10"	13'1"	16'5"	
13'1"	2,233				2,804		1,413				1,784		15'1"
9'10"	1,850				2,780		1,160				1,761		17'
6'7"	1,682			4,233	2,703	1,936	1,047			2,579	1,691	1,213	17'12"
3'3"	1,629			3,990	2,604	1,894	1,008			2,366	1,601	1,173	18'3"
ground	1,676		4,581	3,849	2,529	1,858	1,030		4,085	2,242	1,530	1,140	17'8"
-3'3"	1,852		7,937	3,810	2,496		1,133		4,107	2,207	1,501		16'5"
-6'7"	2,319		8,038	3,838			1,411		4,184	2,233			13'11"



1. The lifting capacity ratings are based on ISO10567.
2. * The maximum lifting capacity is limited by hydraulic rather than tipping load.
3. With the machine standing on level and firm ground, the lifting capacity does not exceed 87% of the hydraulic capacity or 75% of the tipping load.
4. The operator should be familiar with the machinery operation and maintenance manuals. Local regulations concerning the operation safety of machinery must be followed at all times.
5. The lift diagrams only cover machines that are originally built by the XCMG: without lifting chains and any other lifting equipment.
6. When the excavator is used to lift or handle materials, it must comply with local regulations and be equipped with the necessary hose, burst, valves and an overload warning device complying with EN475-5.



Technical Specifications



Dimensions

Working range

A	Maximum digging height - std arm	18'6"
	Maximum digging height - long arm	18'11"
B	Maximum digging depth - std arm	11'11"
	Maximum digging depth - long arm	12'9"
C	Maximum dumping height - std arm	13'2"
	Maximum dumping height - long arm	14'2"
D	Maximum vertical wall digging depth - std arm	8'10"
	Maximum vertical wall digging depth - long arm	9'6"
E	Minimum swing radius - std arm	7'12"
	Minimum swing radius - long arm	8'2"
F	Maximum digging reach at ground level - std arm	19'7"
	Maximum digging reach at ground level - long arm	25'5"
G	Maximum digging reach - std arm	20'1"
	Maximum digging reach - long arm	20'9"
H	Maximum dozer lifting height	18")
I	Maximum dozer cutting depth	16"

Other

Standard arm	5'2"
Long arm	6'3"
General purpose bucket	0.2 yd ³

A	Overall length	17'6"
B	Tail slew radius	3'5"
C	Tumbler length	6'6"
D	Track length	14'9"
E	Dozer blade, maximum reach at ground level	6'7"
F	Undercarriage length	10'5"
G	Dozer blade height	16"
H	Overall width	6'
I	Track gauge	5'1"
J	Minimum ground clearance	12"
K	Track height	22"
L	Ground clearance of counterweight	25"
M	Overall height of engine hood	5'7"
N	Overall height	8'5"
O	Track shoe width	16"
P	Working width at maximum right-hand rotation	6'12"
Q	Working width at maximum left-hand rotation	6'5"
R	Maximum boom offset to the right	32"
S	Maximum boom offset to the left	24"
a	Maximum boom swing angle to the right	70°
β	Maximum boom swing angle to the left	53°

Undercarriage

Rubber tracks	16"
Steel tracks	16"